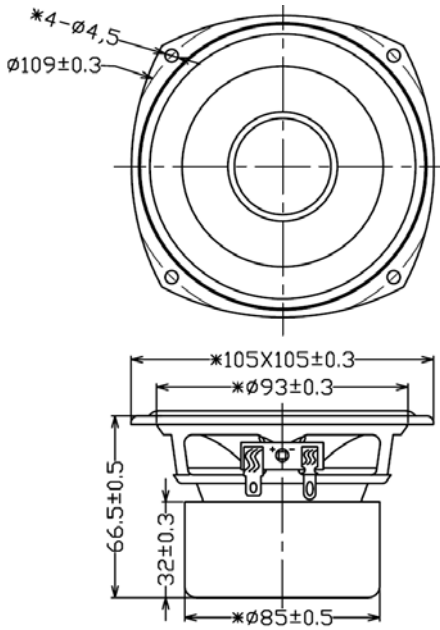


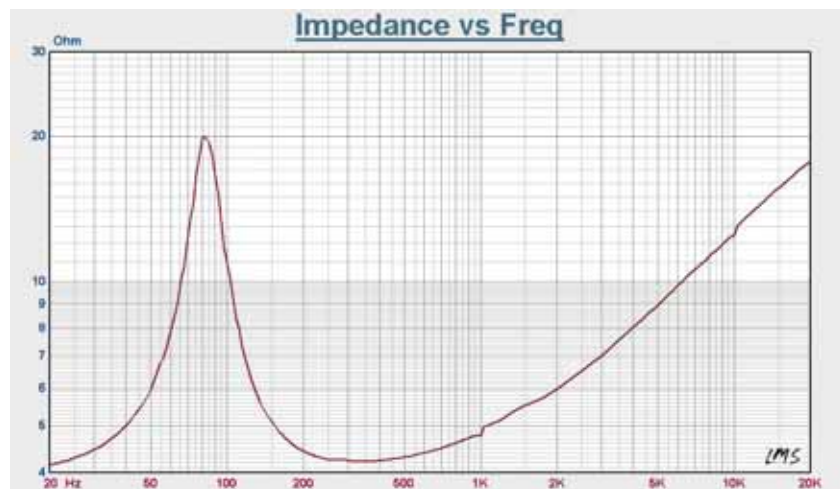
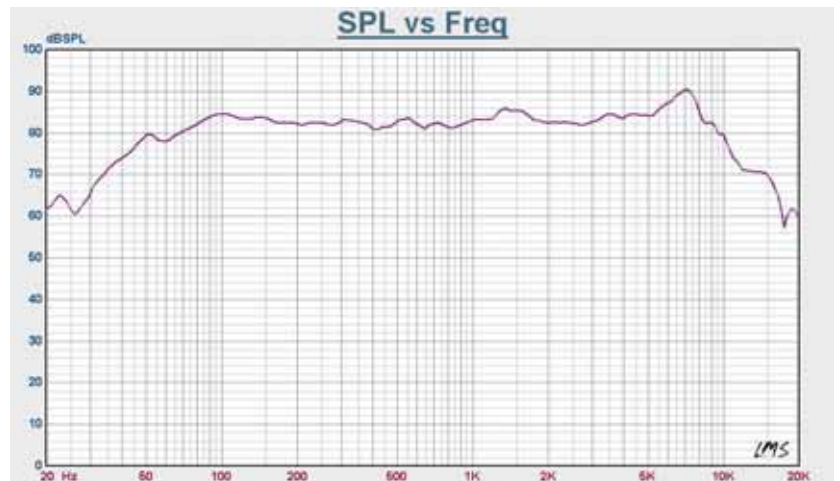
WOOFER

Model: HP105B4-11M



Specifications & Thiele/Small Parameters

| | | |
|---------------------------------|----------------------|--|
| Impedance | : 4 Ohm | |
| Minimum Frequency Response | : 82 Hz | |
| Reproduction Frequency Response | : F ₀ ~8K | |
| S.P.L. | : 86.214 dB/W(m) | |
| Rated Input | : 15W | |
| Music Power | : 20W | |
| Equivalent Diagram Radius | : 41mm | |
| Equivalent Mass | : 6.061 g | |
| Magnet Weight | : 150g+ 96 g | |
| Net Weight | : 755g | |
| F _s | : 81.54 Hz | |
| R _e | : 3.6 Ohm | |
| M _{ms} | : 6.14 g | |
| BL | : 3.580 TM | |
| Q _{ts} | : 0.713 | |
| Q _{ms} | : 3.78 | |
| Q _{es} | : 0.894 | |
| V _{as} | : 3.92 Ltr | |
| X _{max} | : 2.1mm | |
| no | : 0.280% | |
| Material | Frame | : Fe |
| | Cone | : Paper (White) |
| | Surround | : Rubber |
| | Damper | : Cotton |
| | VC DIA | : $\phi 25$ ASV 0.19 SV (4Holes) |
| | Magnet | : $\phi 70 \times \phi 32 \times 12$ Y30 $\phi 60 \times \phi 32 \times 10$ Y25 |
| | Short Ring | : |
| Center Cap | : Dust Cap (White) | |



GUIDE-SOUND INDUSTRIES CO.,LTD
E-Mail: sales@gui-sound.com

Welcome Inquiry&Orders For OEM&ODM