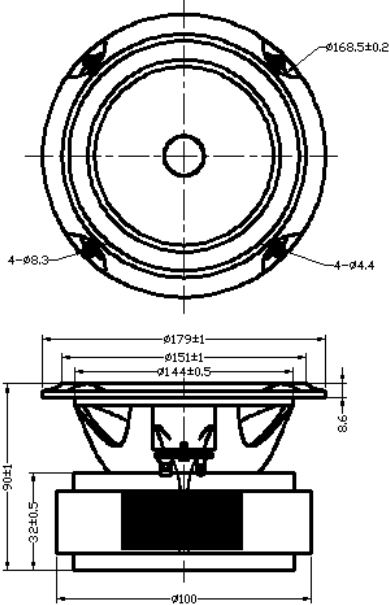


COAXIAL UNIT

Model :FR179B6-12F

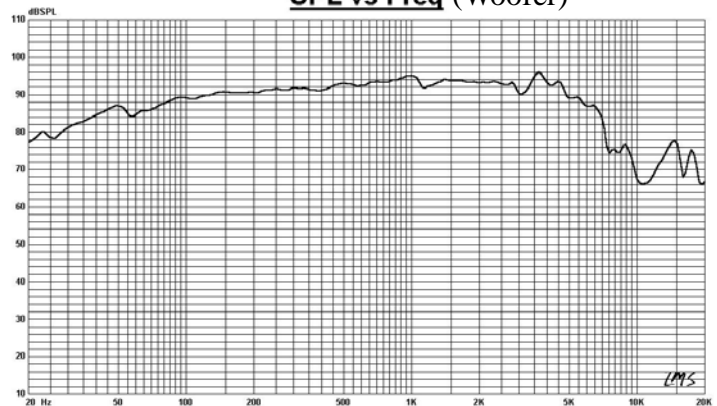


Specifications & Thiele/Small Parameters

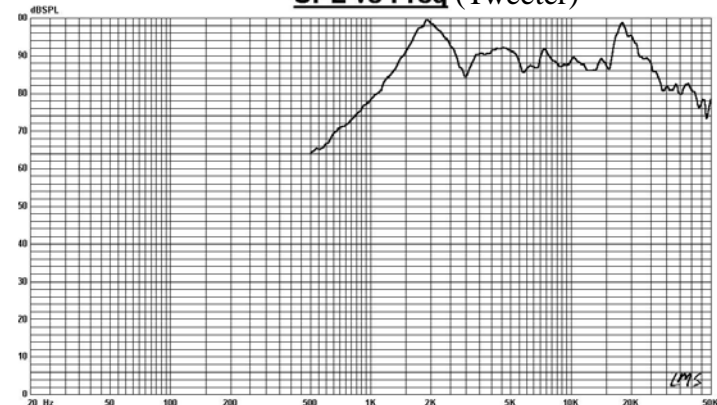
	Woofer	Tweeter
Impedance	6 Ohm	4 Ohm
Minimum Frequency Response	42 Hz	2000 Hz
Reproduction Frequency Response	F ₀ ~8K	F ₀ ~20K
S.P.L.	91.097 dB/W(m)	90 dB/W(m)
Rated Input	20 W	15 W
Music Power	30 W	20 W
Equivalent Diaphragm Radius	62mm	
Equivalent Mass	12.40 g	
Magnet Weight	630 g	6.4 g
Net Weight	1750 g	30 g
F _s	42.616 Hz	2000 Hz
R _e	5.0 Ohm	3.4 Ohm
M _{ms}	10.143 g	
BL	6.721 TM	
Q _{ts}	0.273	
Q _{ms}	2.955	
Q _{es}	0.301	
V _{as}	32.492 Ltr	
X _{max}	2.5 mm	0.05mm
no	0.809%	

	Woofer	Tweeter
Material	Frame	Cast
	Cone&Dome	Wooden
	Surround	RUBBER
	Damper	CONEX
	VC DIA	1.3"
	Magnet	22.03 oz
		ABS
		Aldehyde
		0.8"
		NEODYMIUM

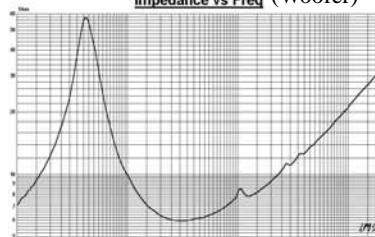
SPL vs Freq (Woofer)



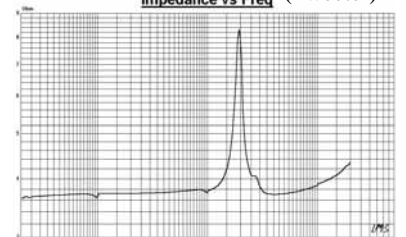
SPL vs Freq (Tweeter)



Impedance vs Freq (Woofer)



Impedance vs Freq (Tweeter)



GUI-SOUND ELECTRONICS CO.,LTD

E-mail: sales@gui-sound.com

Welcome Inquiry&Orders For OEM&ODM