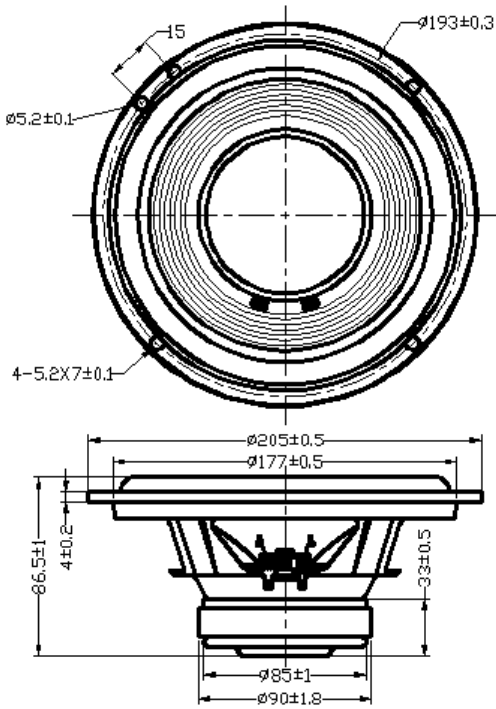


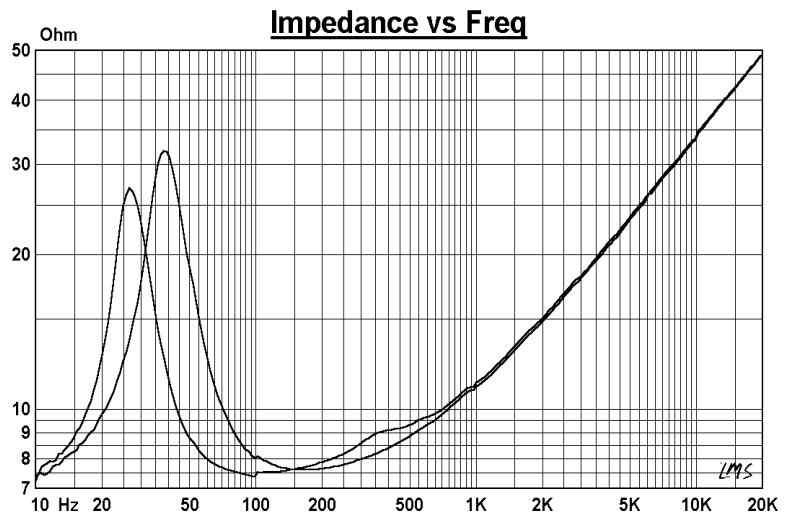
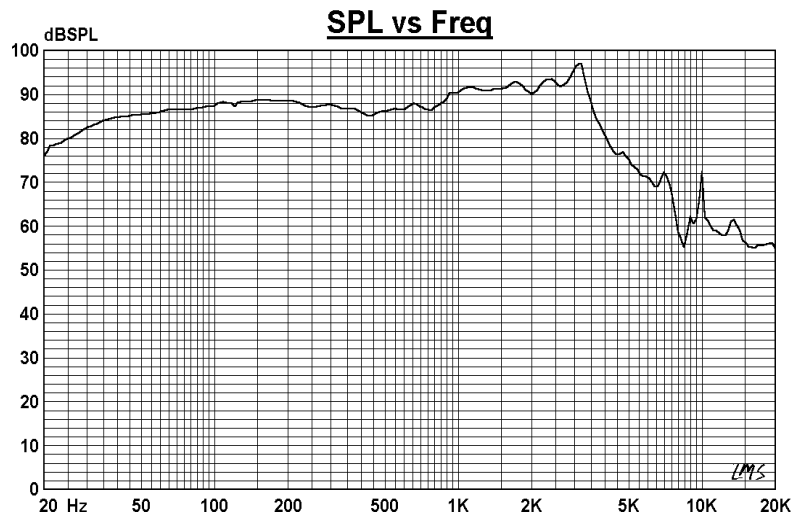
# 8" PRO-Woofer

MODEL:FR205B8-16L



## Specifications & Thiele/Small Parameters

Impedance	: 8 Ohm
Minimum Frequency Response	: 39Hz
Reproduction Frequency Response	: Fo~3.5K
S.P.L.	: 88.1 dB/W(m)
Rated Input	: 50W
Music Power	: 75 W
Equivalent Diaphragm Radius	: 84 mm
Equivalent Mass	: 15.069 g
Magnet Weight	: 330 g
Net Weight	: 1320 g
Fs	: 39.061 Hz
Re	: 6.8 Ohm
Mms	: 16.794 g
BL	: 5.718 TM
Qts	: 0.667
Qms	: 3.008
Qes	: 0.857
Vas	: 60.73 Ltr
Xmax	: 4 mm
no	: 0.408 %
Material	Frame : Fe
	Cone : PAPER COATING
	Surround : FABRIC
	Damper : CONEX
	VC DIA : 1.6"
	Magnet : 11.6 oz



GUI-SOUND ELECTRONICS CO.,LTD

E-mail: sales@gui-sound.com

Welcome Inquiry&Orders For OEM&ODM