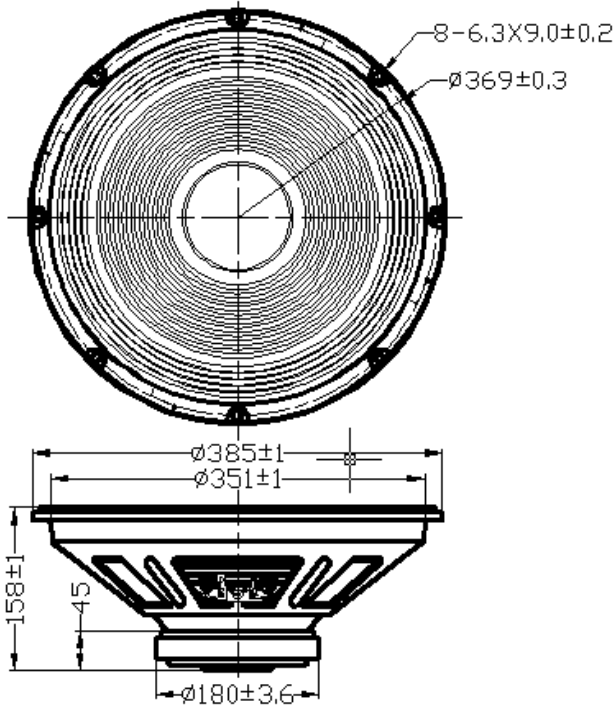


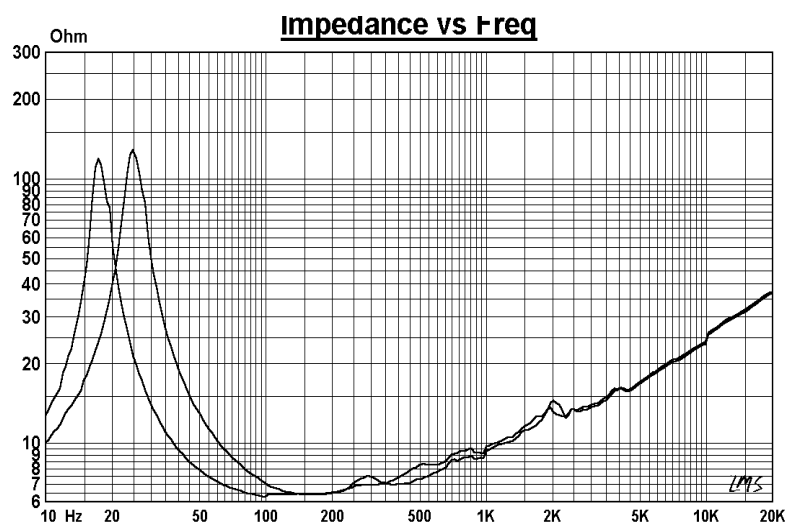
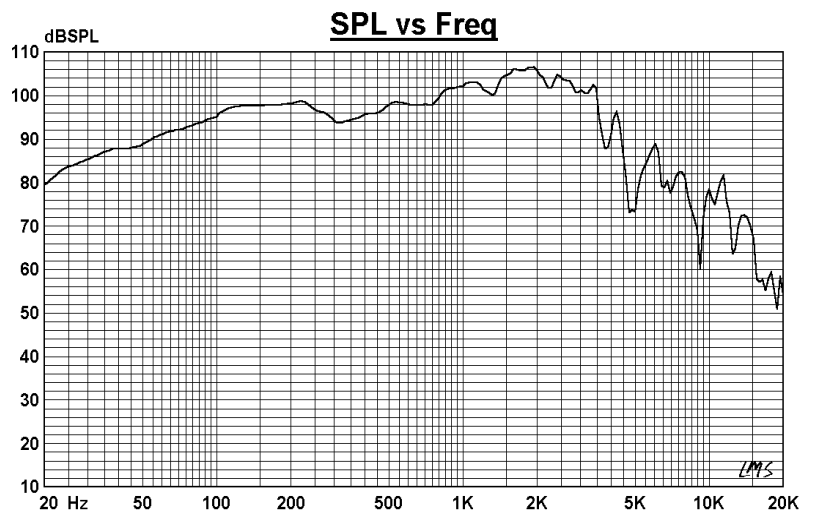
# 15" PRO-Woofer

MODEL: FR385B8-12W



## Specifications & Thiele/Small Parameters

Impedance	: 8 Ohm
Minimum Frequency Response	: 24.0Hz
Reproduction Frequency Response	: Fo~4K
S.P.L.	: 96dB/W(m)
Rated Input	: 240 W
Music Power	: 360W
Equivalent Diaphragm Radius	: 170 mm
Equivalent Mass	: 59.27g
Magnet Weight	: 1633g
Net Weight	: 6450g
Fs	: 23.773Hz
Re	: 6.8 Ohm
Mms	: 73.419g
BL	: 15.315 TM
Qts	: 0.302
Qms	: 6.009
Qes	: 0.318
Vas	: 620.448 Ltr
Xmax	: 4mm
no	: 2.535%
Material	Frame : Fe
	Cone : PAPER
	Surround : FABRIC
	Damper : CONEX
	VC DIA : 1.9"
	Magnet : 72 oz



GUIDE-SOUND ELECTRONICS CO.,LTD

E-mail: sales@gui-sound.com

Welcome Inquiry&Orders For OEM&ODM