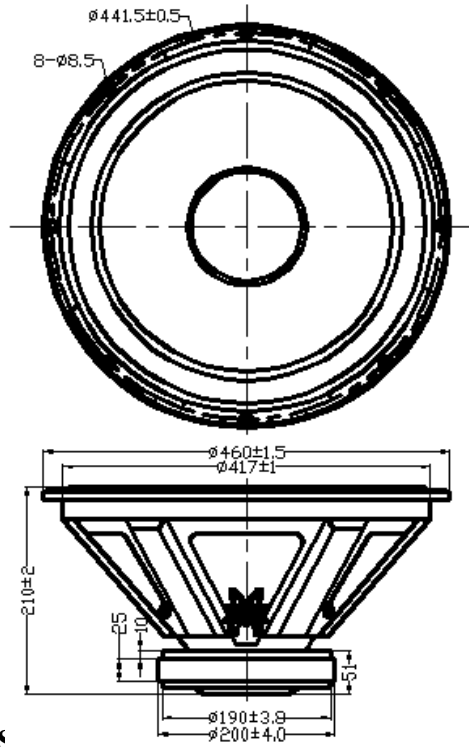
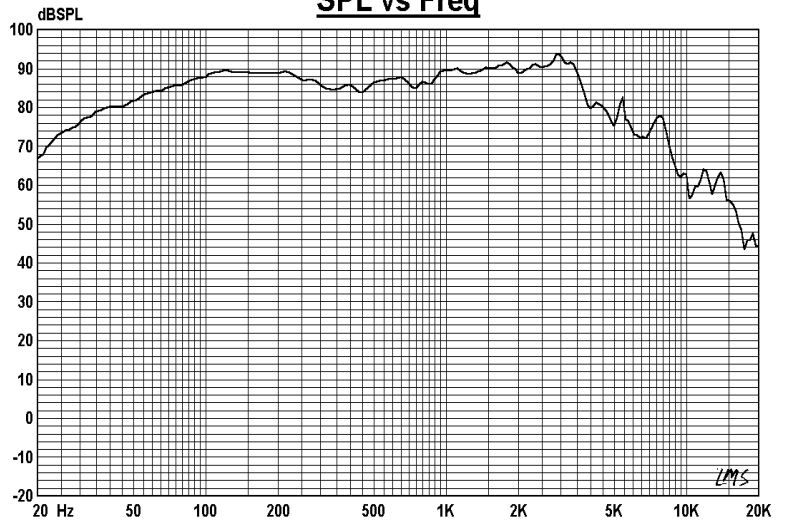


18" Pro Woofer

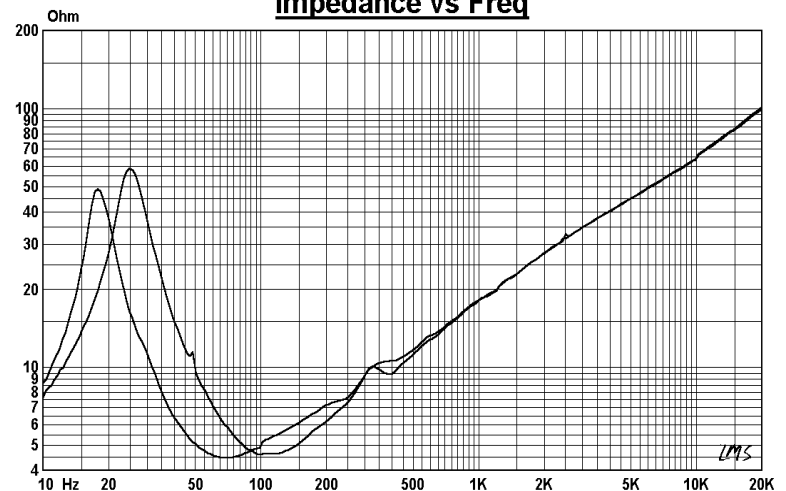
MODEL :FR460B4-10L



SPL vs Freq



Impedance vs Freq



& Thiele/Small Parameters

| | |
|---------------------------------|-------------------|
| Impedance | : 4 Ohm |
| Minimum Frequency Response | : 25Hz |
| Reproduction Frequency Response | : Fo~3K |
| S.P.L. | : 96.682dB/W(m) |
| Rated Input | : 400 W |
| Music Power | : 480 W |
| Equivalent Diaphragm Radius | : 210mm |
| Equivalent Mass | : 146.835 g |
| Magnet Weight | : 2739g |
| Net Weight | : 9092g |
| Fs | : 25.204Hz |
| Re | : 3.5 Ohm |
| Mms | : 172.369g |
| BL | : 18.698TM |
| Qts | : 0.255 |
| Qms | : 3.74 |
| Qes | : 0.273 |
| Vas | : 516.556Ltr |
| Xmax | : 4mm |
| no | : 2.927 % |
| Material | Frame : Fe |
| | Cone : PAPER |
| | Surround : RUBBER |
| | Damper : CONEX |
| | Voice : 3.0" |
| Magnet | : 96.6oz |

GUIDE-SOUND ELECTRONICS CO.,LTD

E-mail: sales@gui-sound.com

Welcome Inquiry&Orders For OEM&ODM