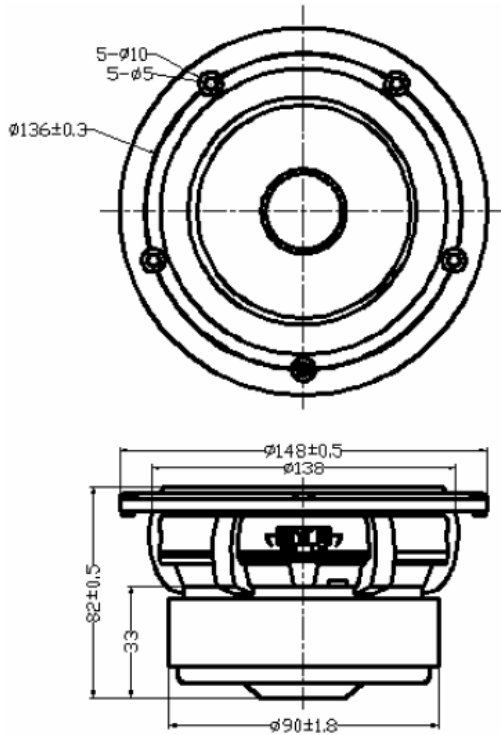


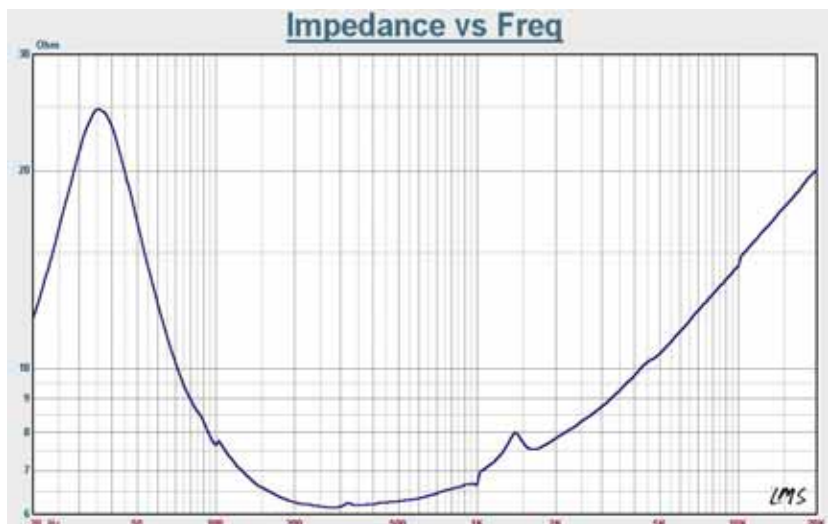
Woofer

Model : FR148B6-23L



Specifications & Thiele/Small Parameters

Impedance	: 6 Ohm
Minimum Frequency Response	: 34.3Hz
Reproduction Frequency Response	: Fo~12K
S.P.L.	: 84.9 dB/W(m)
Rated Input	: 30 W
Music Power	: 40 W
Equivalent Diaphragm Radius	: 55mm
Equivalent Mass	: 14.7g
Magnet Weight	: 994 g
Net Weight	: 2120g
Fs	: 34.3 Hz
Re	: 5.6 Ohm
Mms	: 15.236g
BL	: 6.295 TM
Qts	: 0.354
Qms	: 1.495
Qes	: 0.464
Vas	: 18.1 Ltr
Xmax	: 6 mm
no	: 0.152%
Material	Frame : Cast
	Cone : POLY GLASS FIBER
	Surround : RUBBER
	Damper : CONEX
	VC DIA : 1.2"
Magnet	: 13.5 oz



GUIDE-SOUND ELECTRONICS CO.,LTD

E-mail: sales@gui-sound.com

Welcome Inquiry&Orders For OEM&ODM