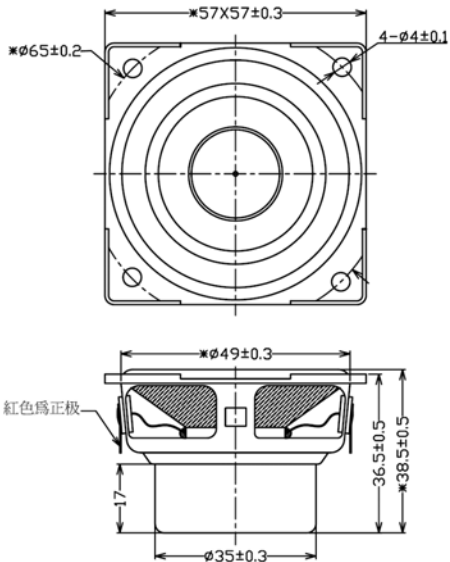


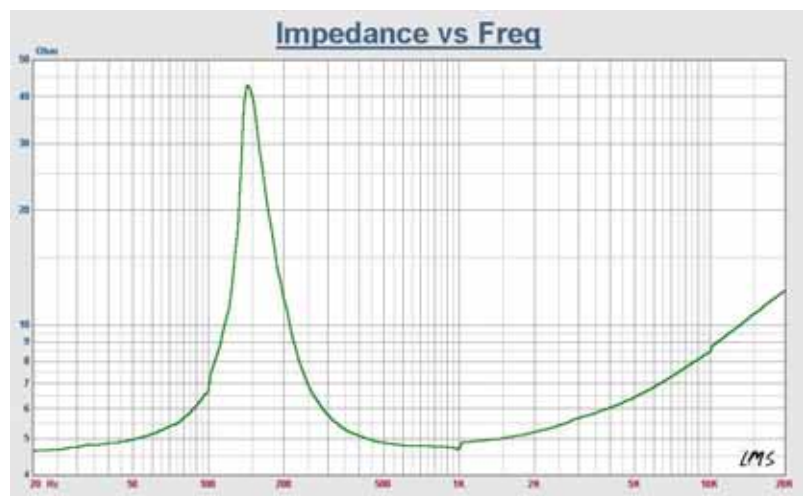
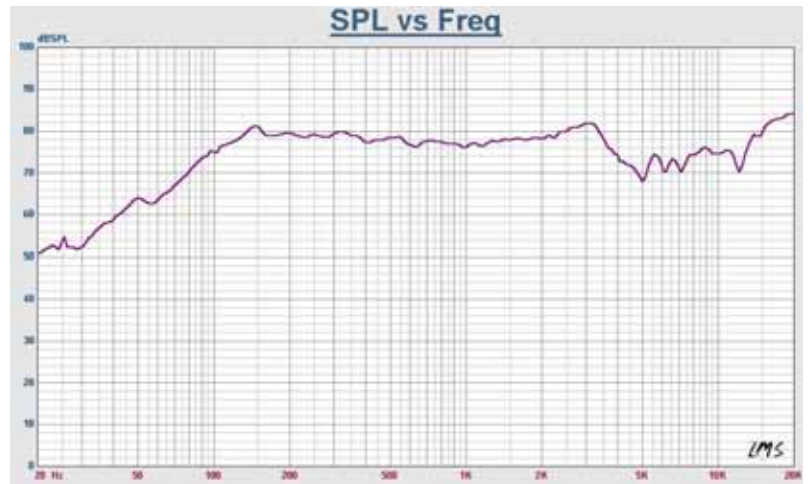
## Full Range

Model : UB57B4-15F



## Specifications & Thiele/Small Parameters

Impedance	: 4 Ohm	
Minimum Frequency Response	: 154 Hz	
Reproduction Frequency Response	: Fo~20K	
S.P.L.	: 85.438 dB/W(m)	
Rated Input	: 5 W	
Music Power	: 10 W	
Equivalent Diaphragm Radius	: 23mm	
Equivalent Mass	: 957.644 g	
Magnet Weight	: 21.6 g+8.6g	
Net Weight	: 150 g	
Fs	: 154.417 Hz	
Re	: 3.6 Ohm	
Mms	: 997.947 g	
BL	: 2.219 TM	
Qts	: 0.628	
Qms	: 5.599	
Qes	: 0.708	
Vas	: 436.846 Ltr	
Xmax	: 0.1 mm	
no	: 0.220%	
Material	Frame	: Fe.
	Cone	: Al.
	Surround	: Foam
	Damper	: Conex (4Hole)
	VC DIA	: 20 KAP 0.16 CCAW
	Magnet	: 19.5×10H N42 19.5×4H N35
	Short Ring	:
Center Cap	: AL Phase Plug (Glod)	



GUIDE-SOUND ELECTRONICS CO., LTD

E-Mail: [sales@gui-sound.com](mailto:sales@gui-sound.com)

Welcome Inquiry & Orders For OEM&ODM