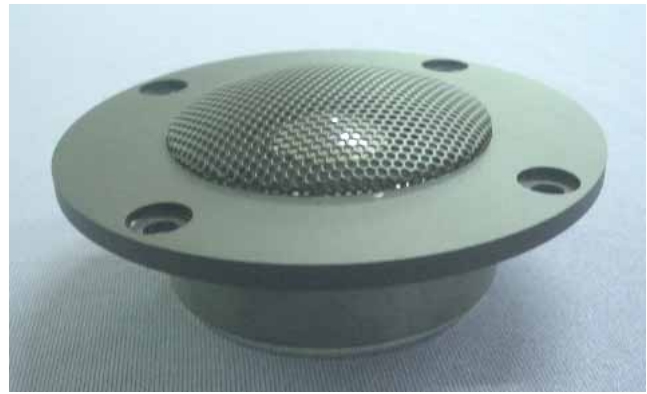
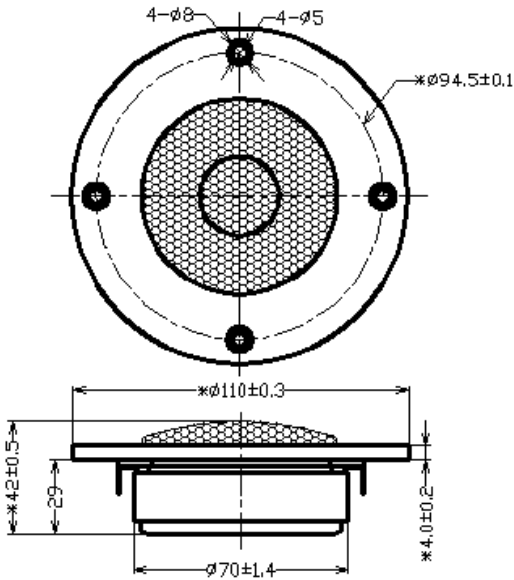


# 1" Tweeter

Model :FR110B6-12T

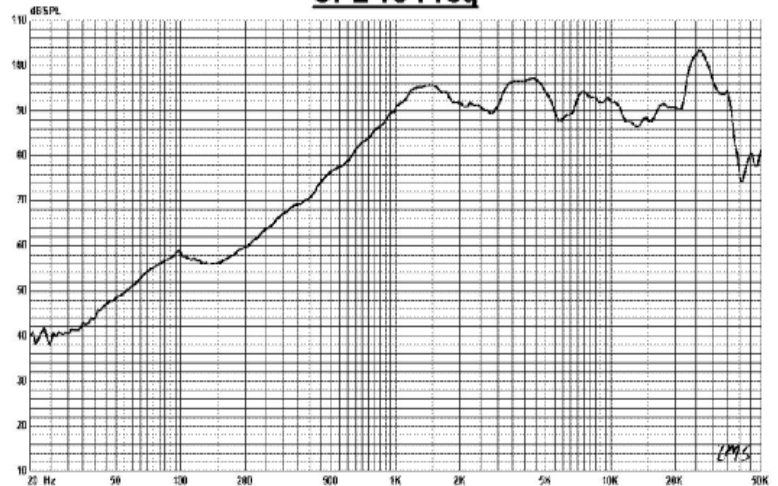


## Specifications

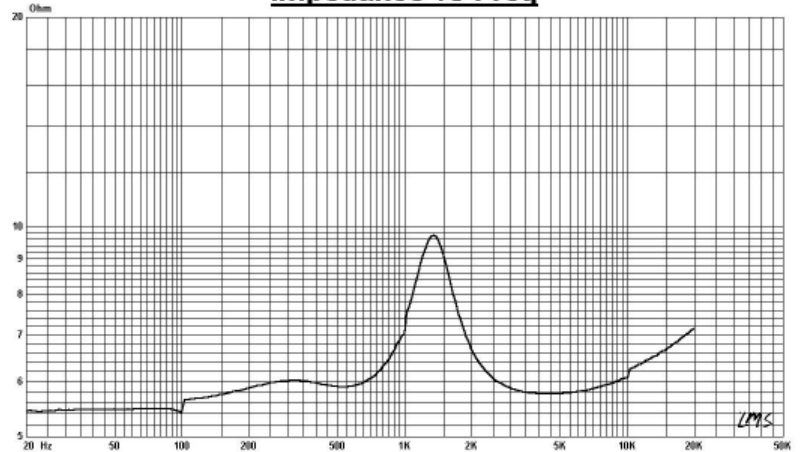
### Thiele/Small Parameters

Impedance	: 6 Ohm
Minimum Frequency Response	: 1400 Hz
Reproduction Frequency Response	: Fo~40K
S.P.L.	: 92 dB/W(m)
Rated Input	: 20 W
Music Power	: 30 W
Equivalent Diagram Radius	:
Equivalent Mass	:
Net Weight	: 570 g
Fs	: 1400Hz
Re	: 5.2 Ohm
Mms	:
BL	:
Qts	:
Qms	:
Qes	:
Vas	:
Xmax	: 0.05 mm
no	:
Material	Frame : Cast
	Cone : AL(20 $\mu$ )
	Surround : SILK
	Damper :
	VC DIA : 25ASV 0.1CCAW
Magnet	: 70X 32X20

SPL vs Freq



Impedance vs Freq



GUIDE-SOUND INDUSTRIES CO.,LTD

E-Mail: sales@gui-sound.com

Welcome Inquiry&Orders For OEM&ODM