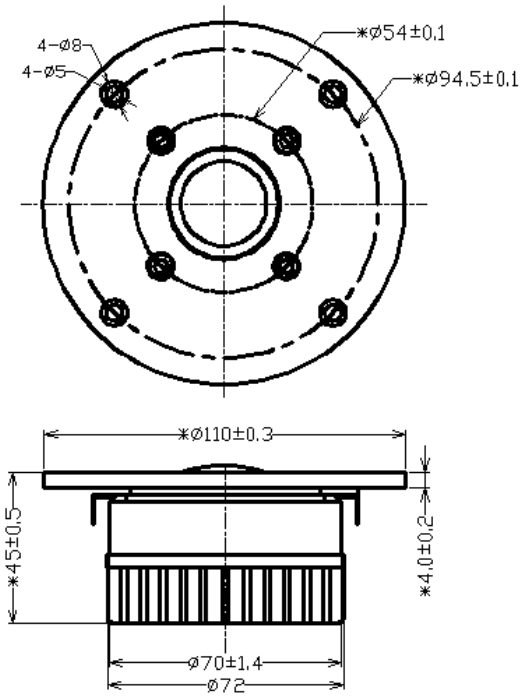


1" Tweeter

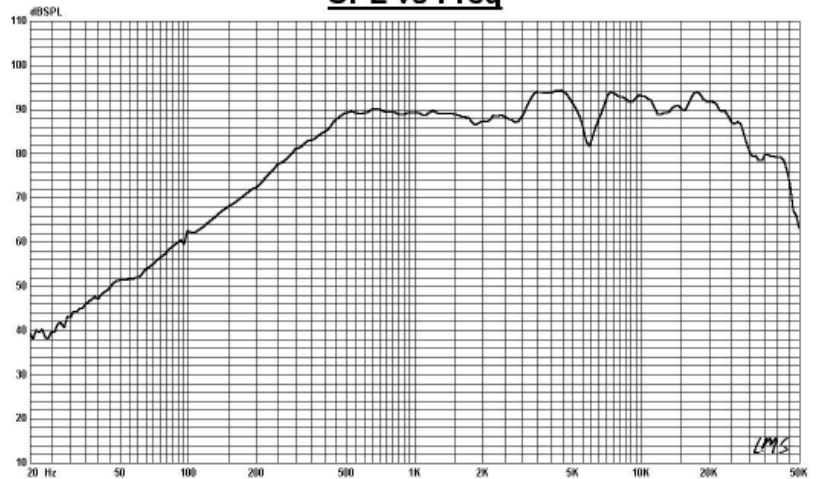
Model :HR110B6-11T



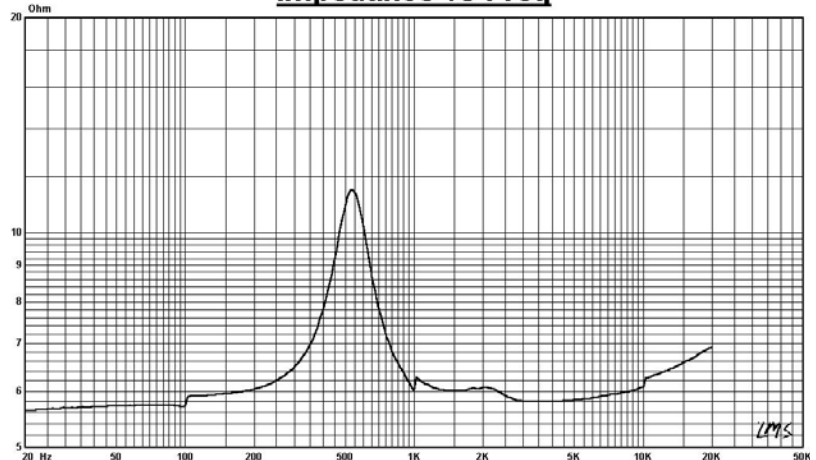
Specifications & Thiele/Small Parameters

Impedance	: 6 Ohm	
Minimum Frequency Response	: 530 Hz	
Reproduction Frequency Response	: Fo~40K	
S.P.L.	: 90 dB/W(m)	
Rated Input	: 20 W	
Music Power	: 30 W	
Equivalent Diagram Radius	:	
Equivalent Mass	:	
Net Weight	: 560 g	
Fs	: 530 Hz	
Re	: 5.2 Ohm	
Mms	:	
BL	:	
Qts	:	
Qms	:	
Qes	:	
Vas	:	
Xmax	: 0.05 mm	
no	:	
Material	Frame	: Cast
	Cone	: SILK
	Surround	: SILK
	Damper	:
	VC DIA	: 25 ASV 0.1CCA W
Magnet	: 70X 32X15	

SPL vs Freq



Impedance vs Freq



GUIDE-SOUND INDUSTRIES CO.,LTD

E-Mail: sales@gui-sound.com

Welcome Inquiry&Orders For OEM&ODM