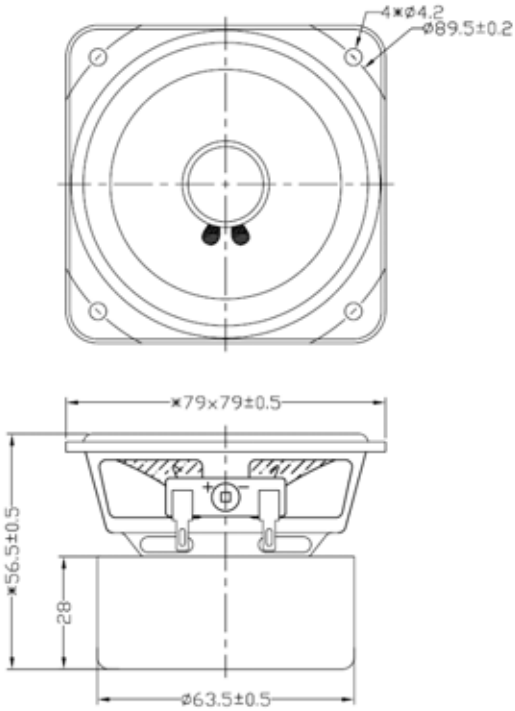


Full Range

Model : HB79B4-11F



Specifications & Thiele/Small Parameters

Impedance	: 4 Ohm
Minimum Frequency Response	: 79Hz
Reproduction Frequency Response	: Fo~15KHz
S.P.L.	: 82.704 dB/W(m)
Rated Input	: 10 W
Music Power	: 20 W
Equivalent Diaphragm Radius	: 41mm
Equivalent Mass	: 2.227g
Magnet Weight	: 150 g
Net Weight	: 400 g
Fs	: 79.373 Hz
Re	: 3.6 Ohm
Mms	: 2.331 g
BL	: 2.01 TM
Qts	: 0.877
Qms	: 5.699
Qes	: 1.036
Vas	: 2.509 Ltr
Xmax	: 1.0 mm
no	: 0.117%
Material	Frame : Fe
	Cone : Paper
	Surround : Foam
	Damper : Conex+Cotton
	VC DIA : $\Phi 20$ KAP 0.16 SV
	Magnet : $\Phi 55 \times \Phi 25 \times 10$ Y25 $\Phi 50 \times \Phi 25 \times 8$ Y25
Short Ring	: Cu Cap



GUIDE-SOUND INDUSTRIES CO.,LTD

E-Mail: sales@gui-sound.com

Welcome Inquiry&Orders For OEM&ODM